



**SIMULATION AND CONTROL TECHNOLOGIES, INC.**

42 Corbettsville Road

Conklin, NY 13748

PHONE (607) 722-3450 -- FAX (607) 722-3486

---

**Model 2020-1 Actuator Specification**

**RESTRICTION ON DISCLOSURE AND USE OF DATA**

This report includes data that shall not be duplicated, used, or disclosed, in whole or in part, for any purpose other than as specified in the Buyer's contract. This restriction does not limit the Buyer's right to use information contained in this data if it is obtained from another source without restriction



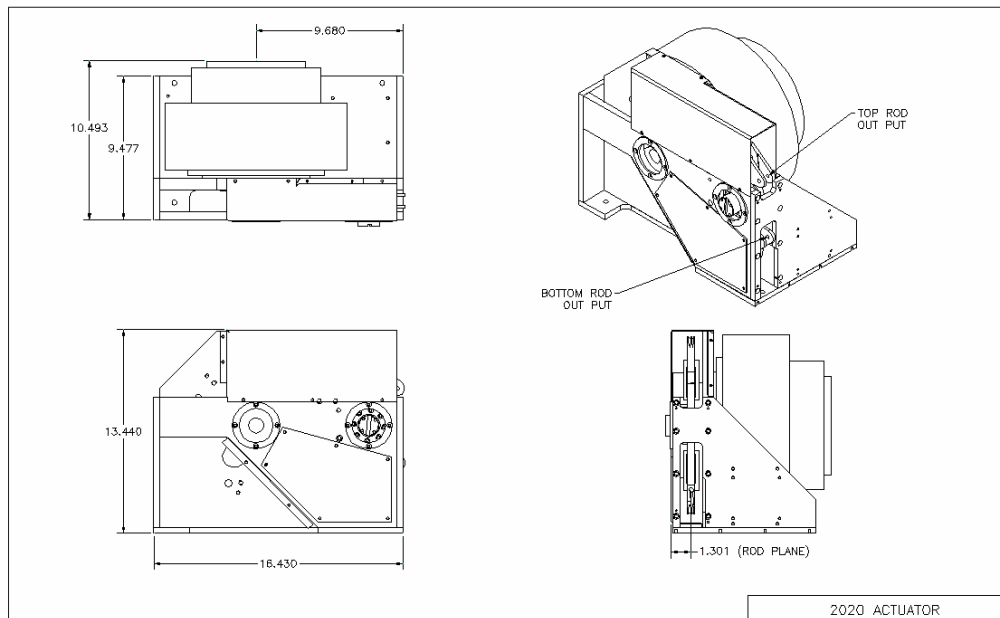
# SIMULATION AND CONTROL TECHNOLOGIES, INC.

42 Corbettsville Road  
Conklin, NY 13748  
PHONE (607) 722-3450 -- FAX (607) 722-3486

## Model 2020-1 Actuator

Takeoff Point	Stroke	Continuous Force LBS	Peak Force LBS	Speed (No Load)
1.732 Inch	$\pm 1.00$ Inch	266 LBS	532 LBS	3000 Deg/Sec
3.464 Inch	$\pm 2.00$ Inch	132 LBS	264 LBS	3000 Deg/Sec

NOTE: Higher forces can be derived from the motor if higher current is used. The above forces are based on 21 (continuous) and 42 (peak) AMP buss current limit.

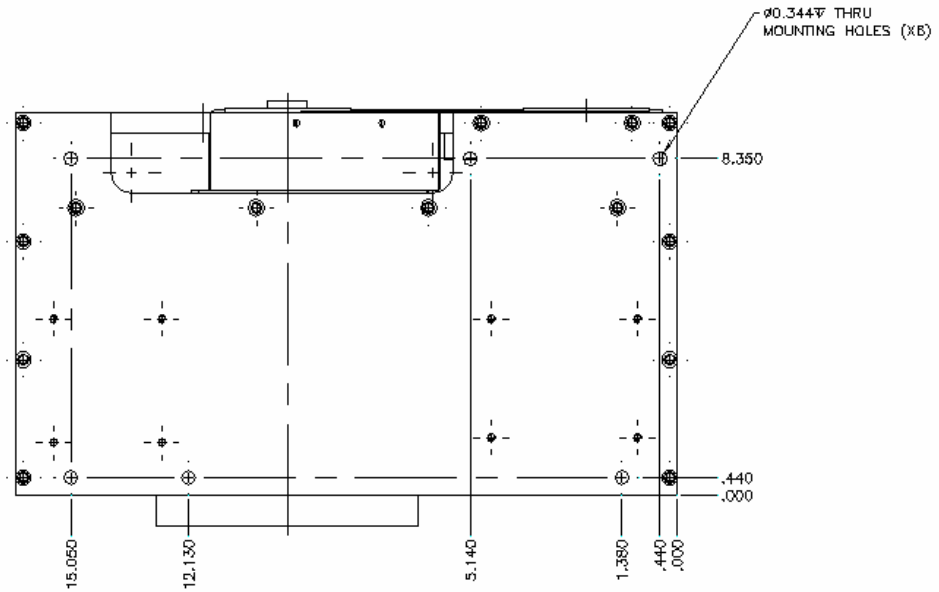




**SIMULATION AND CONTROL TECHNOLOGIES, INC.**

42 Corbettsville Road  
Conklin, NY 13748  
(607) 722-3450 FAX (607) 722-3486

2020 ACTUATOR



Note: Model number 2020-1 includes military specification connectors