



SIMULATION AND CONTROL TECHNOLOGIES, INC.

42 Corbettsville Road

Conklin, NY 13748

PHONE (607) 722-3450 -- FAX (607) 722-3486

Model 2050 Actuator Specification

RESTRICTION ON DISCLOSURE AND USE OF DATA

This report includes data that shall not be duplicated, used, or disclosed, in whole or in part, for any purpose other than as specified in the Buyer's contract. This restriction does not limit the Buyer's right to use information contained in this data if it is obtained from another source without restriction



SIMULATION AND CONTROL TECHNOLOGIES, INC.

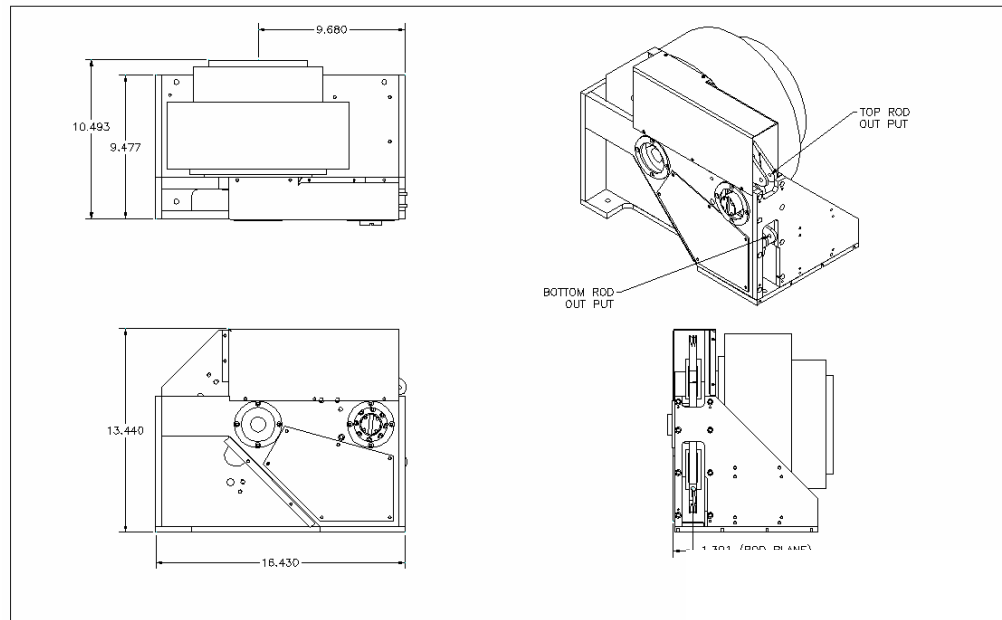
42 Corbettsville Road

Conklin, NY 13748

PHONE (607) 722-3450 -- FAX (607) 722-3486

Model 2050 Actuator

Takeoff Point	Stroke	Continuous Force LBS	Peak Force LBS	Speed (No Load)
1.732 Inch	± 1.00 Inch	1108 LBS	2216 LBS	140 Deg/Sec
3.464 Inch	± 2.00 Inch	549 LBS	1098 LBS	140 Deg/Sec





SIMULATION AND CONTROL TECHNOLOGIES, INC.

42 Corbettsville Road
Conklin, NY 13748
(607) 722-3450 FAX (607) 722-3486

