



SIMULATION AND CONTROL TECHNOLOGIES, INC.

42 Corbettsville Road

Conklin, NY 13748

PHONE (607) 722-3450 -- FAX (607) 722-3486

Model 2145 Actuator Specification

RESTRICTION ON DISCLOSURE AND USE OF DATA

This report includes data that shall not be duplicated, used, or disclosed, in whole or in part, for any purpose other than as specified in the Buyer's contract. This restriction does not limit the Buyer's right to use information contained in this data if it is obtained from another source without restriction



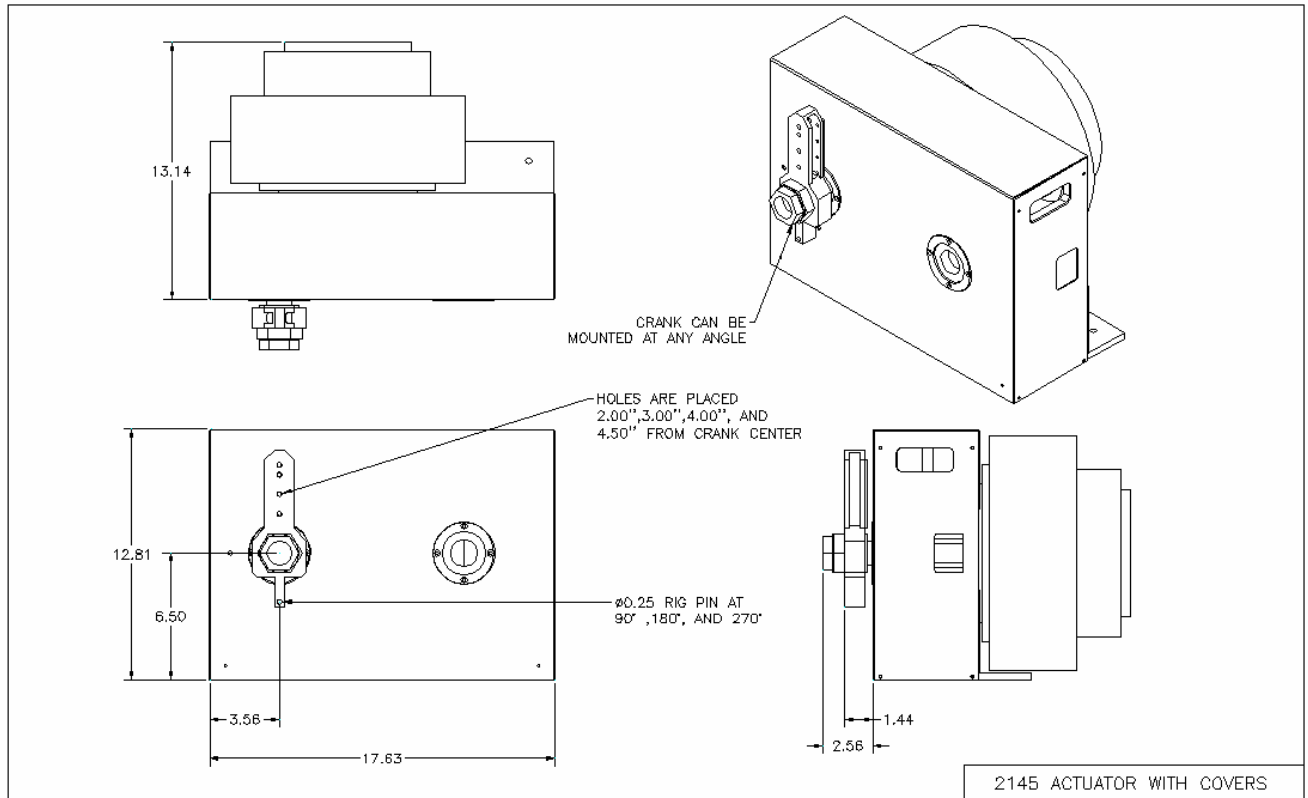
SIMULATION AND CONTROL TECHNOLOGIES, INC.

42 Corbettsville Road
 Conklin, NY 13748
 PHONE (607) 722-3450 -- FAX (607) 722-3486

Model 2145 Actuator

Takeoff Point	Stroke	Continuous Force LBS	Peak Force LBS	Speed (No Load)
1.732 Inch	± 1.00 Inch	1250 LBS	2500 LBS	1080 Deg/Sec
3.464 Inch	± 2.00 Inch	625 LBS	1250 LBS	1080 Deg/Sec

NOTE: Higher forces can be derived from the motor if higher current is used. The above forces are based on 21 (continuous) and 42 (peak) AMP buss current limit.



Note: Standard SCT takeoff arm shown



SIMULATION AND CONTROL TECHNOLOGIES, INC.

970 Conklin Road
PO Box 426
Conklin, NY 13748
(607) 722-3450 FAX (607) 722-3486

